

Fig. 1

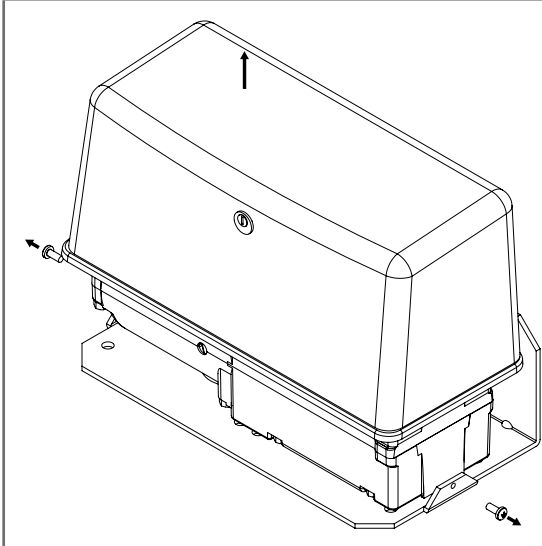
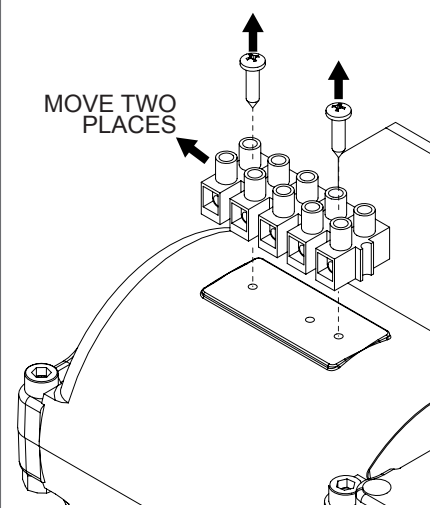


Fig. 2

RIGHT MOTOR (looking from inside)



LEFT MOTOR (looking from inside)

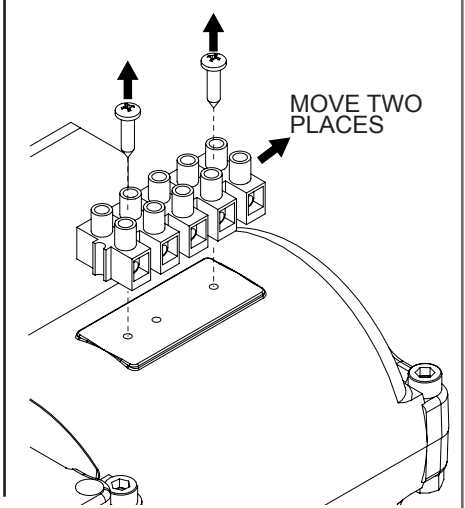
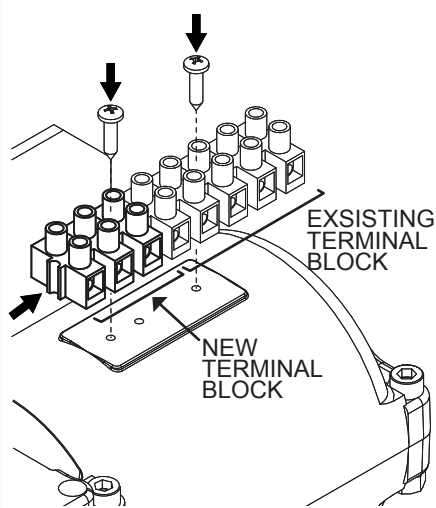


Fig. 3

RIGHT MOTOR (looking from inside)



LEFT MOTOR (looking from inside)

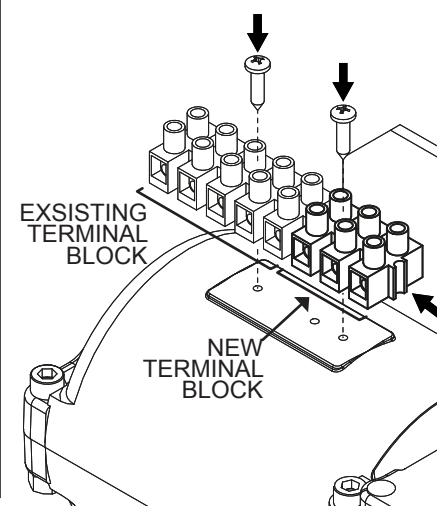


Fig. 4

PLACE LEVER IN MIDDLE PIN

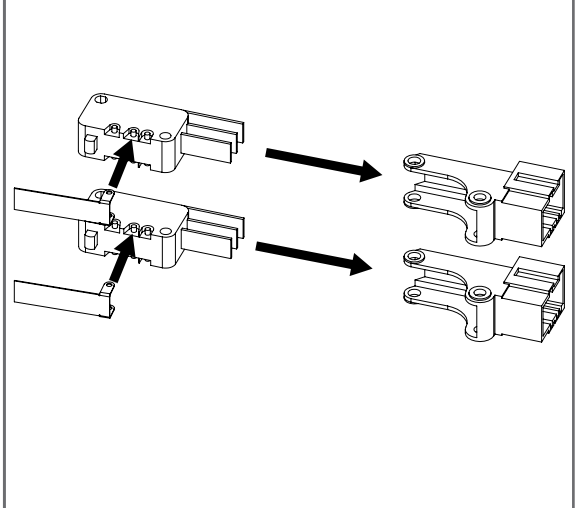


Fig. 5 - RIGHT MOTOR (looking from inside)

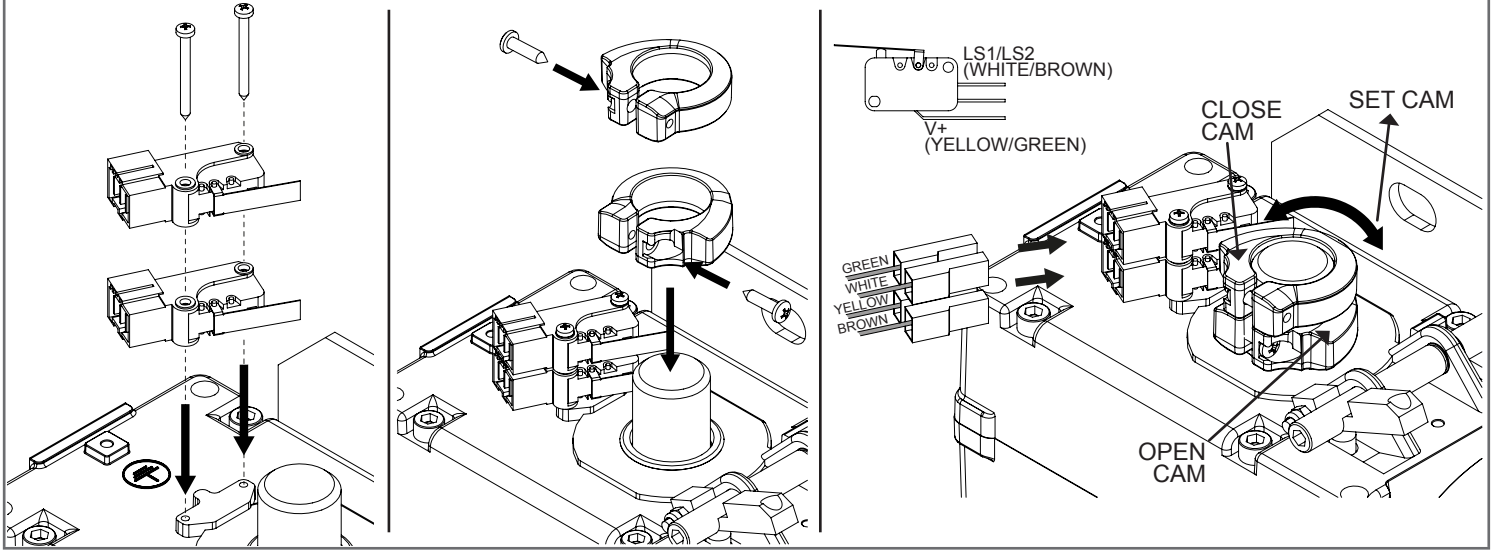


Fig. 6 - LEFT MOTOR (looking from inside)

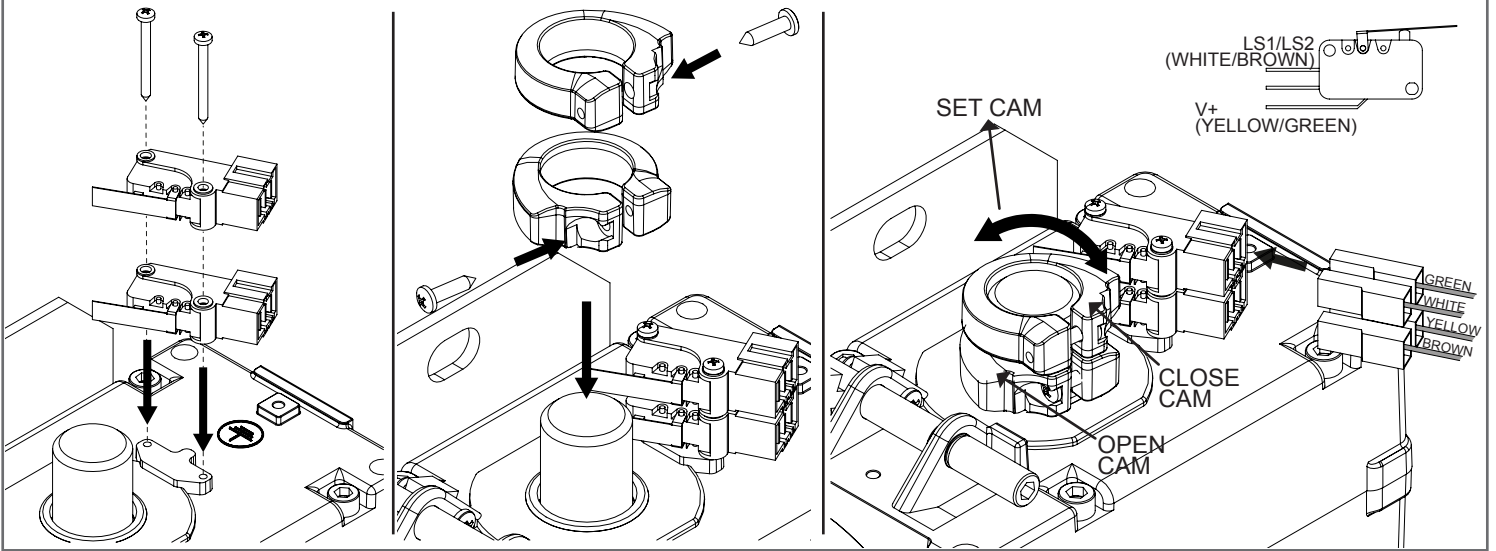


Fig. 7

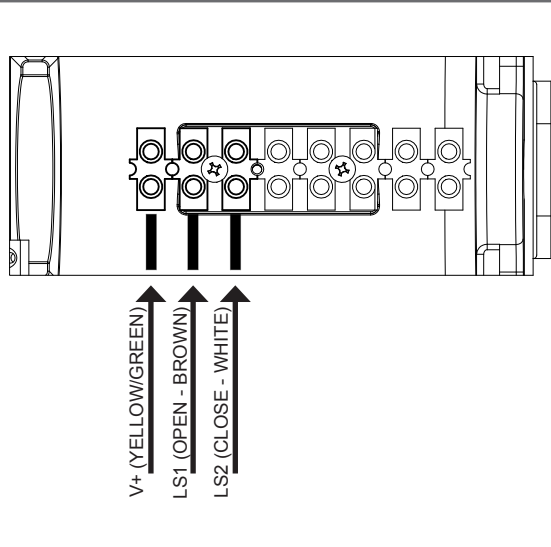


Fig. 8

